

M66

SNIPER



DE AIRSOFT



Made In China

USE 6mm BB BULLET

1/1 New Generation Airsoft Gun

WARNING:



DANGEROUS: NOT A TOY. Adult supervision required. Misuse or careless use may cause serious injury.



FOR AGES 18 YEARS AND UP - Must be 18 years of age to purchase; minors require parent or legal guardian supervision to operate.



EYE PROTECTION REQUIRED - Always wear eye and body protection to prevent injury. Do not fire at hard surface to prevent ricochet.



READ INSTRUCTION BEFORE OPERATING - Follow safe handling procedures at all times. The purchaser and user should conform to all laws governing the use and ownership of airguns.



DO NOT BRANDISH OR DISPLAY THIS PRODUCT IN PUBLIC - It may confuse people and may be a crime. Police and others may think it is a firearm. Do not change the coloration and markings to make it look more like a firearm. That is dangerous and may be a crime.



WARNING

Always read this manual before using

- Read through manual before shooting, paying special attention for safe operation.
- Thoroughly understand the warnings and cautions for safe operation.

CAUTION

- Always observe warnings and cautions strictly.
- Failing to do so may cause injury, accidents, or damage to the gun.



Always use precision BB Bullets for this airgun. Never use any used BB bullets.



Do not look directly into the gun barrel to avoid accidental discharge of BB.



Never aim or shoot at people or animals as the target. Always set the selector on safe position except when you are ready to shoot a target.



Never hold the gun sideways as the BB bullets will curve right or left. This is due to the HOP-UP system.



DO NOT brandish in public, do not alter the coloration and warnings - such an action is dangerous and may be a crime.



Select a safe place for operating the air gun, avoiding places where people and cars pass across or third persons are around.



Always remove the any remaining BBs and the battery before storage. Store the airsoft gun in a case or bag out the reach of children to avoid accidents.

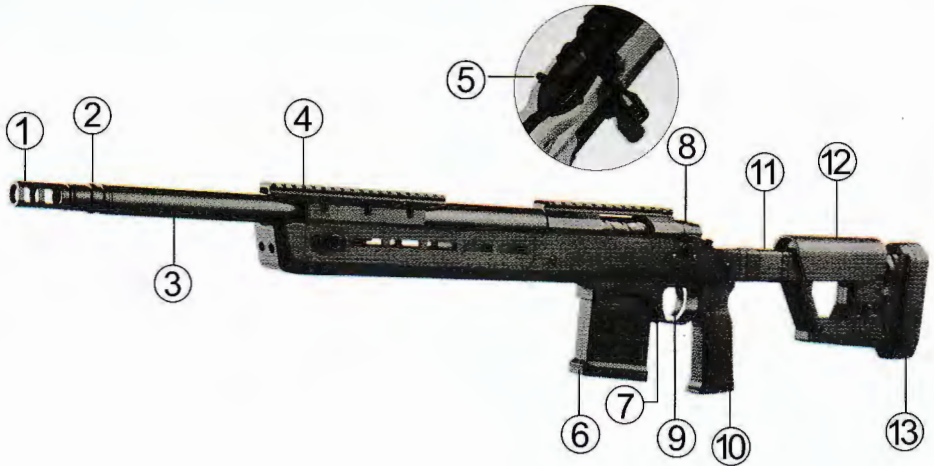


Disassembling or modifying the gun may generate danger or adversely affect the performance.



There may still be BBs left in the airsoft gun even though the shell cartridge has been removed. Pulling the trigger carelessly is extremely dangerous. After removing the shell cartridge, direct the muzzle towards a safe direction and pull the trigger to confirm that no BBs remain in the airsoft gun.

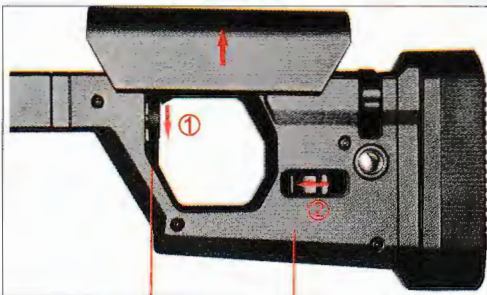
RIFLE COMPONENTS



- ① Flash Hider ② Silencer Connector ③ Barrel ④ Picatinny Rail ⑤ Safety
- ⑥ Magazine ⑦ Magazine Release ⑧ Bolt ⑨ Trigger ⑩ Grip
- ⑪ Foldable Stock Release Button ⑫ Cheek Rest ⑬ Butt Stock

STOCK ADJUSTMENT

1. Cheek Rest Adjustment



1. Locking Dial 2. Adjustment Dial

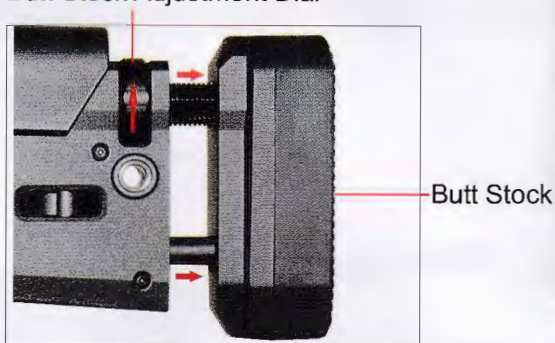
1. Loosen Locking Dial

2. Rotate the adjustment dial to the left to raise the cheek rest. Adjust to desire height and tighten locking dial (AS shown on the left)

Butt Stock Adjustment Dial

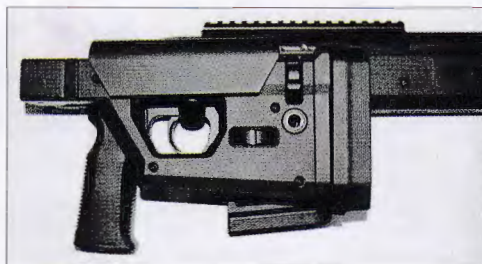
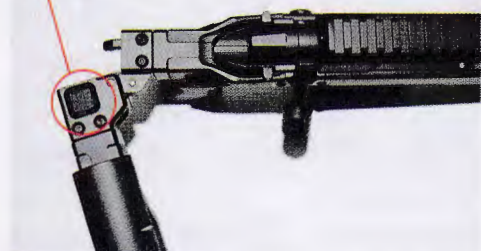
2. Butt Stock Adjustment

- Rotate the butt stock adjustment dial upward (clockwise) to extend butt stock to desired location



FOLDING STOCK

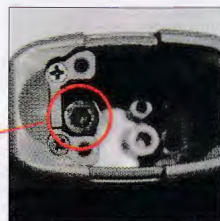
Stock Release Button



- Press and hold button to release foldable stock. Fold stock as shown.

GRIP ADJUSTMENT

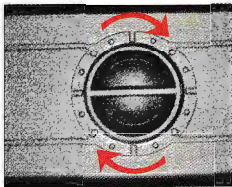
- Remove cover at bottom of grip. Used provided Allen key and loosen screw. Slide grip to the desired location and tighten screw to secure. (AS shown)



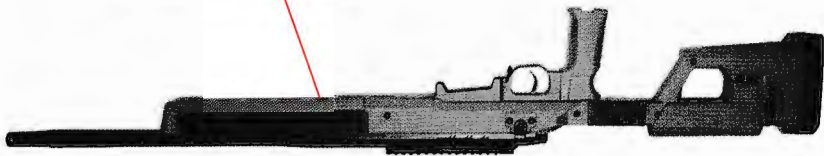
Loosen The Screw

HOP UP ADJUSTMENT

- The best BB trajectory to maximize distance should be level and flat.



Hop up Adjustrnenl Dial



SETTING THE MAGAZINE

- Load BBS into speedloader

① Open the Speed Loader Cap.

Insert 6mm BBS into the Speed Loader.

② Locate and push the Rod Release Button to release the Spring Rod.

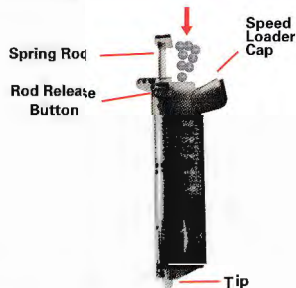
- Feed BBS From Speedloader into Magazine

① Hold and disengaged the magazine by pressing the Magazine Release Button.

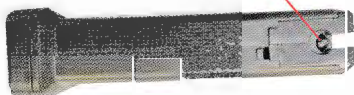
② Align The Tip of Speed Loader with the Feed Lip of the magazine.

③ Push the spring Rod to load BBS into the magazine.Repeat this process until the magazine is full.

④ Insert the loaded magazine back into the rifle.



Feed Lip

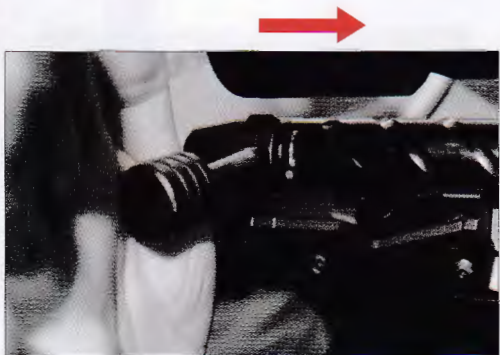


INSTRUCTIONS

WARNING: Rifle must be in SAFE mode at all times until you are ready to fire.



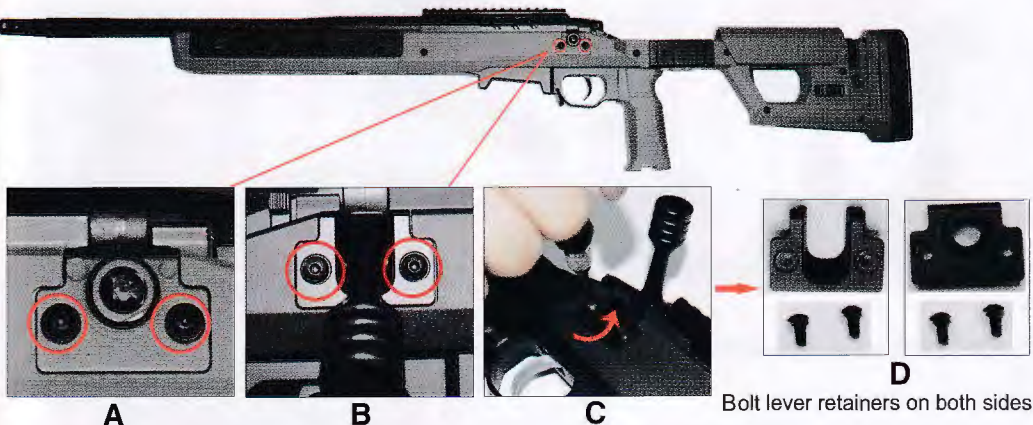
- Rotate lever upwards. Pull bolt all the way back to engage sear. Push bolt forward to load BB and rotate lever to original position. Move the safety lever to the FIRE position and pull trigger to fire.



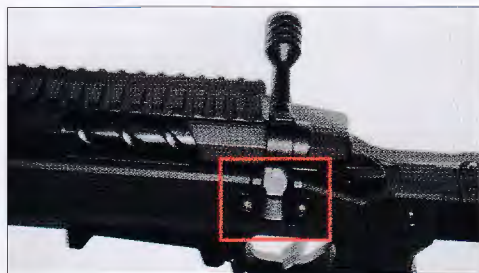
LEFT HANDED BOLT LEVER INSTALL

一, Bolt Lever Retainers Removal and Installation

1. Remove the bolt lever retainers on both sides of the rifle by removing mounting screws (A.B.C.D) as shown in diagram below.

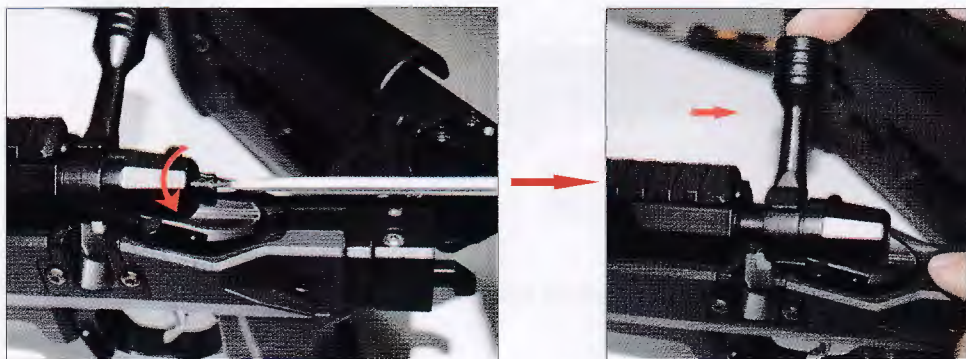


2. Swap the retainers and reinstall screws. Do not over tighten. (AS shown)



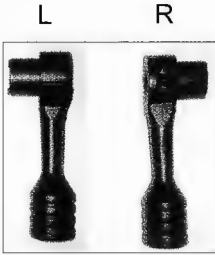
二, Left Handed Bolt Lever Install

Remove screw at the end of the bolt. Slide and remove bolt lever.

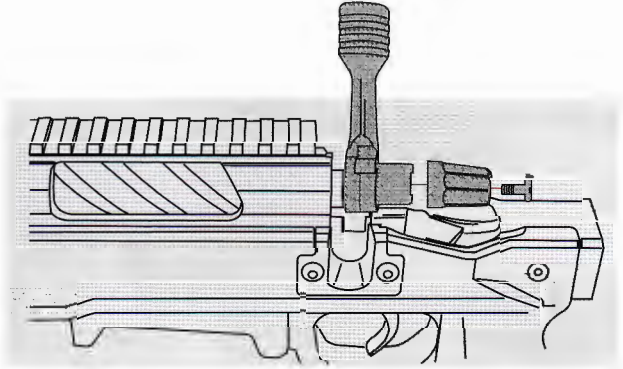


≡, Left Handed Bolt Lever Installation

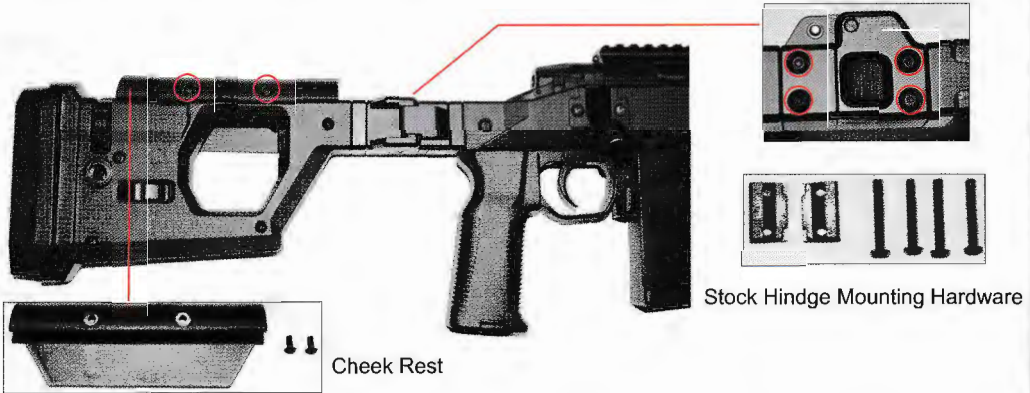
1. Slide in left handed bolt lever and end cap. Tighten screw to secure.



Bolt Lever side profiles



2. Cheek Rest and Stock Hinge Mounting Modification



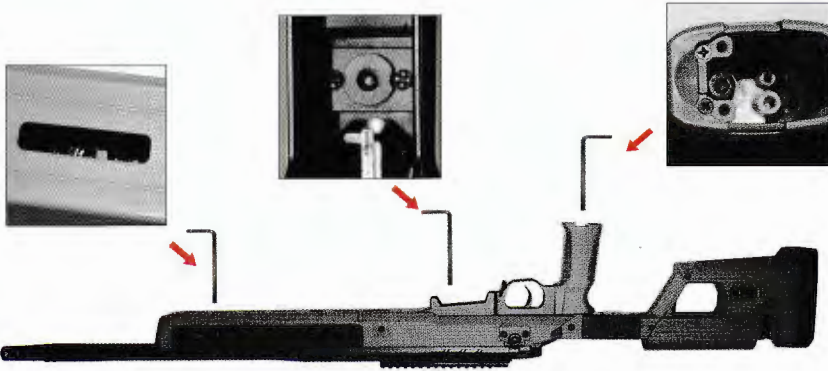
3. Remove and invertly install cheek rest and stock hinge to suit left hand use.



● Note: When installing the left handed bolt lever, the retainers must be installed correctly.

BODY ASSEMBLY

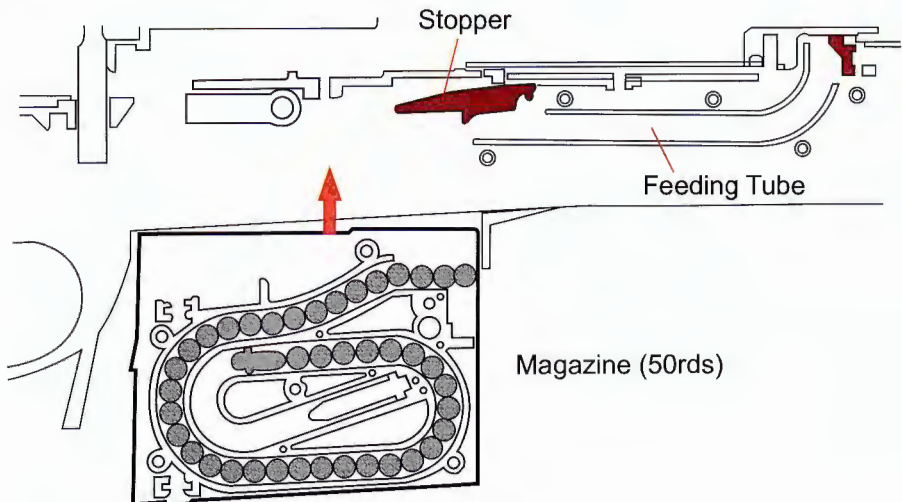
- Two allen key are included in the pistol grip and mounting screw locations are as shown in diagrams below. When tightening or loosening the screws, apply even force on each screw to maintain straight barrel level.

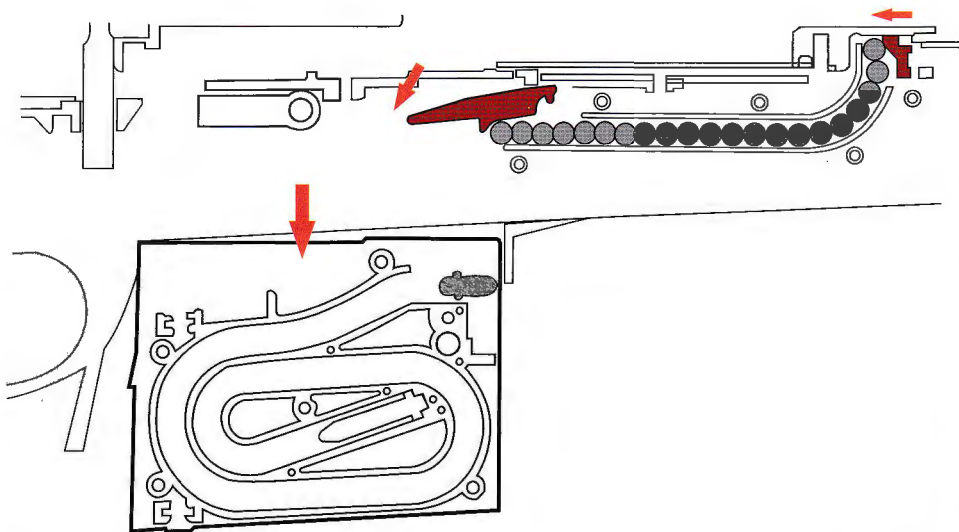
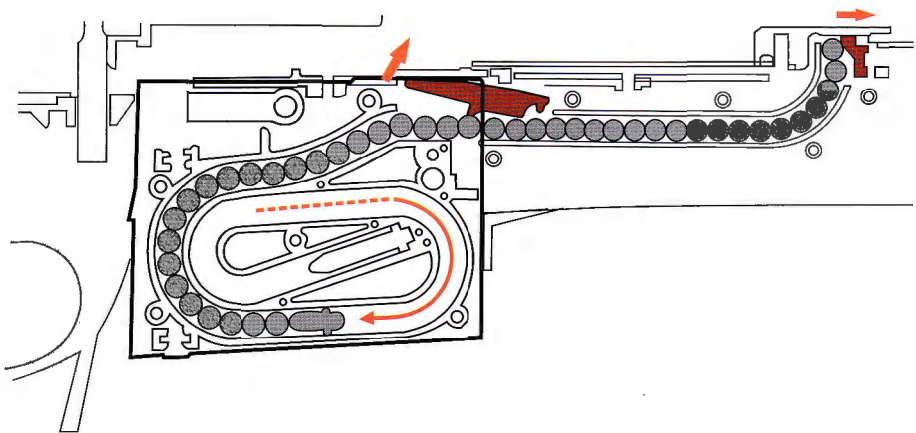


Two Allen keys are included in the pistol grip

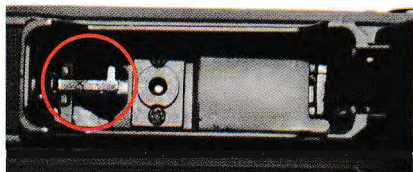
LOADING MAGAZINE

- Warning: Remove all BBs in feeding tube after use.





● Note: The rifle will not discharge all 50rds when the feeding tube is empty because 21 rounds remains in the feeding tube.



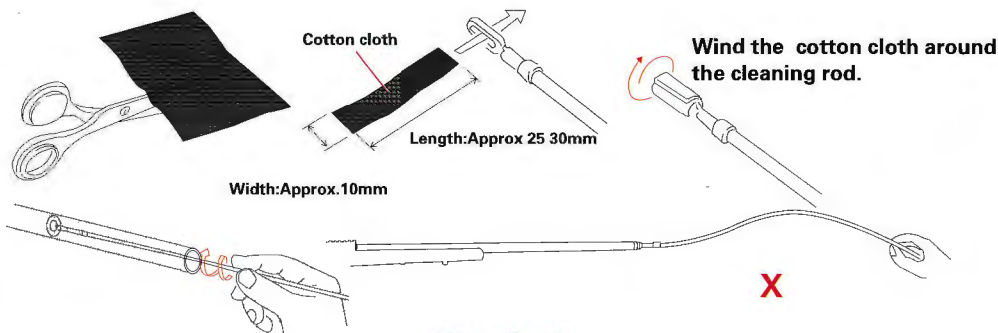
● Press Stopper to empty feeding tube.

MAINTENANCE

- Maintenance when you are shooting but the BBs is came out slowly.

① Spray a cleaning patch with Lubricant oil with the cleaning patch on rod(rod may not be included with your sirsoft gun),insert it into barrel to clean.

② To complete the cleaning,use the cleaning rod(with cotton)as shown below.To remove excess oil.



Hold at the leading end of the rod and insert the rod into the barrel while turning the rod.

Warning!

Always carry out maintenance AFTER returning the hop up lever to the Normal position.(Hop-OFF)

Inserting the rod will be difficult if you hold rod in the far end.

- Removing clogged bullets

Remove the magazine and return the hop up adjustment to the Normal position.

Insert the cleaning rod from the load edge into the barrel,make sure that the angled part of the cleaning rod faces down,and remove clogged bullets.



- Normal Maintenance

Keep the rifle in clean condition.

Regularly clean the barrel with soft cleaning rod.

Never used dirty,damaged or distorted bullets.



DE AIRSOFT