



# SR36

## SERIES

6mm Cal. AIRSOFT RIFLE



MADE IN TAIWAN

# INSTRUCTION MANUAL

# SR36

SERIES  
6mm Cal. AIRSOFT RIFLE

1

## Installing the Battery (Handguard type)

STEP 1



Push the Locking pin.

STEP 2



Pull the locking pin from handguard

STEP 3



Disassemble the Handguard.

STEP 4



Release the Bayonet mount use allen key(1.5mm).

STEP 5



Rotate the bayonet mount 180°

STEP 6



Connect the battery leads.

## Installing the Battery (Handguard type)



STEP 7



Insert the Battery.

STEP 8



Reinstall the Handguard.

STEP 9



Reinstall the Locking pin and turn the bayonet mount back to position.

## 2 Installing the Battery (Retractable Folding Stock type)

STEP 1

Please use a fully charged SRC 8 4v Battery (Large type)



1. Pull the stock release lever and hold.
2. Pull to back remove the Stock.

STEP 2



1. Pull the battery lead from stock.
2. Insert the Battery.

### WARNING

1. Remove the battery from device when not in use.
2. Please use high-quality, CE approved batteries.

**3**

# Installing the Battery (External battery case type)

**STEP 1**

Please use a fully charged SRC 8.4v Battery (Mini type)

**STEP 2**

Open the cover.

**STEP 3**

Insert the battery.

**STEP 4**

1. Let the battery lead through the bottom of the hole.  
2. Close the cover.

**STEP 5**

Connect the battery leads

**STEP 6**

Push the battery lead into the Tactical Rail system.

**STEP 7**

Reinstall the external battery case.

# SR36

## SERIES

6mm Cal. AIRSOFT RIFLE

### Installing the Battery (Retractable Folding Stock type)

STEP 3



Connect the battery leads

STEP 4



1 Check all battery leads into the Stock.

STEP 5



1. Push the stock release lever and hold it  
2. Push the stock forward.

STEP 6



Install complete

### WARNING

1. Remove the battery from device when not in use.
2. Please use high-quality, CE approved batteries.

# SR36

## SERIES

6mm Cal. AIRSOFT RIFLE

### 4

## Loading the Magazine

### WARNING

Use SRC Precision BBs only. The use of low-quality BBs may cause damage to your airsoft gun.

STEP 1



Open the BB well cover and fill with BBs

STEP 2



Rotate the wheel on the bottom of the magazine until you hear the clicking sound change.

STEP 3



Insert the magazine until heard the click. The gun is now ready to fire.

### 5 Shooting Modes

Safe mode



Semi mode



Auto mode

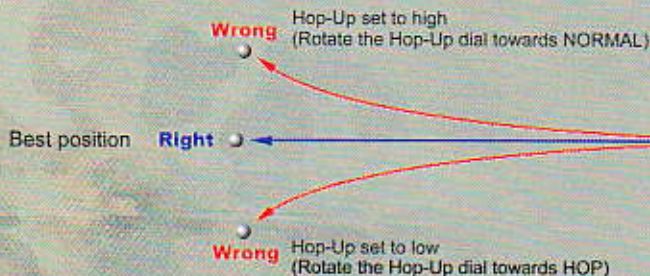


# 6 Hop-up Adjustment



## WARNING

- Always keep finger off the trigger until you are ready to fire. Make sure the muzzle is pointing in a safe direction.
- Keep the selector on safe mode until you are ready to shoot.



Hop-Up set to high  
(Rotate the Hop-Up dial towards NORMAL)



Pull the cocking lever to the rear, exposing HOP UP adjust knob, to reduce the Hop-up affect, dial the knob counter-clockwise.

Hop-Up set to low  
(Rotate the Hop-Up dial towards HOP)



To increase the Hop-Up setting, rotate the hop-up dial towards HOP.

## WARNING

1. Remove the battery from device when not in use.
2. Please use high-quality, CE approved batteries.

# SR36

## SERIES

6mm Cal. AIRSOFT RIFLE

### 7

## Rear Sight Adjustment

B screw



B screw



If BBs hit to the right of the target, turn Screw B to the left.

If BBs hit to the left of the target, turn Screw B to the right.

Carrying Handle scope



**SCREW B**



**SCREW B**

A screw



A screw



If BBs hit high on the target, turn the rear sight to the left.

If BBs hit Low on the target, turn the rear sight to the right.



**SCREW A**



**SCREW A**

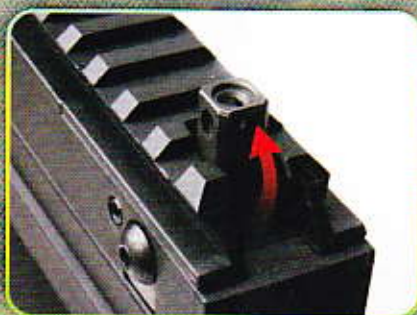
# Front Sight & Rear Sight Adjustment



For precision shooting



For normal shooting



SR36 KV Foldable Rear Sight Adjustment



SR36 KV Foldable Front Sight Adjustment

# SR36

## SERIES

6mm Cal. AIRSOFT RIFLE

### 8

## TROUBLESHOOTING

Problem : AEG does not function



Please check the connectors



Please check the motor wiring connections.



Please check the fuse



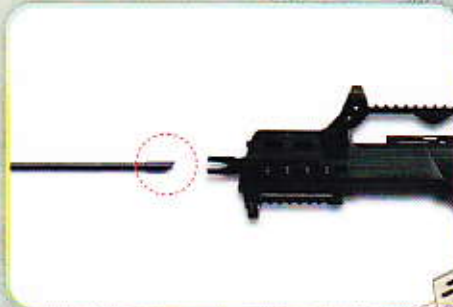
Please use a screwdriver to adjust the gap of gears.

# TROUBLESHOOTING

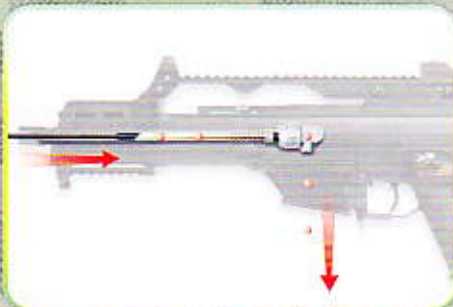
Problem: Clearing jammed BBs



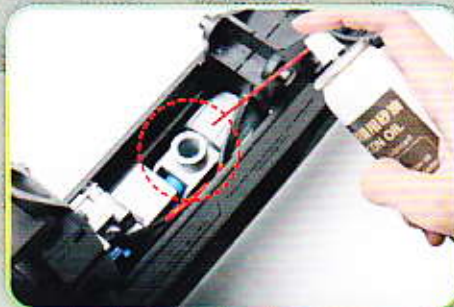
Remove the magazine.



Turn off the Hop-Up by rotating the hop-up dial all the way towards NORMAL. Use the correct end of the cleaning rod.



Insert the Cleaning rod into the Barrel to remove the jammed BBs..



Use Airsoft Safe Silicone to lubricate the hop up chamber. Use silicone lubricant sparingly..



# SR36

## SERIES

6mm Cal. AIRSOFT RIFLE

# 9

## SR36 SERIES PARTS LIST

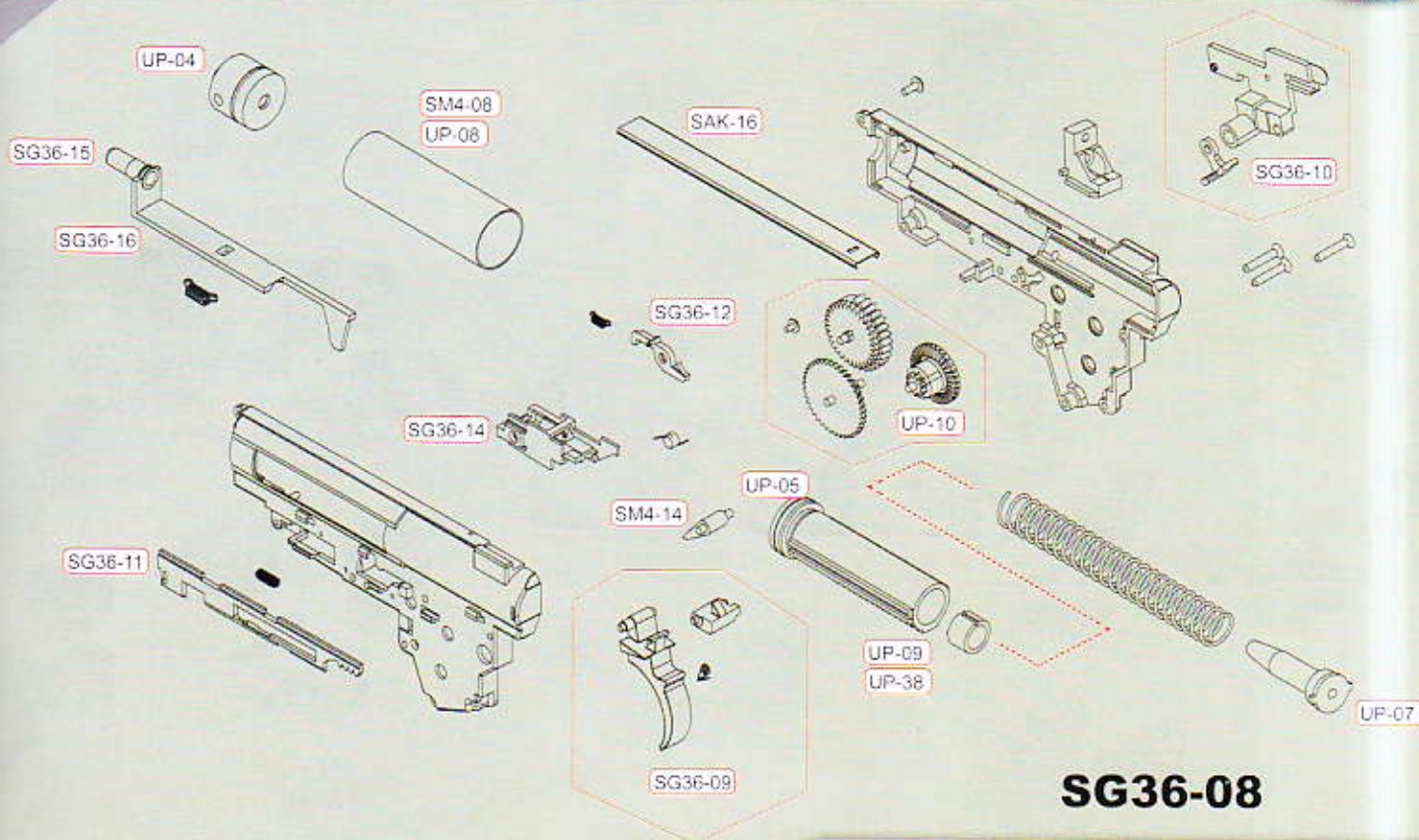
6MM CAL. AIRSOFT RIFLE

NO	DESCRIPTION	NO	DESCRIPTION
SG36-01	470 Rounds Magazine	SG36-46	SR36KV Handguard /w 4pcs Rail set
SG36-02	Metal Hop up Chamber	SG36-49	SR36K Aluminum Outer Barrel
SG36-03	SR36K Flash Hider	SG36-50	SR36C Flash Hider
SG36-04	SR36K Aluminum Outer Barrel	SG36-51	SR36KV Carrying Handle
SG36-05	Metal Cocking Lever	SG36-52	SR36 MAG(2300 Rounds Electric Drum Magazine)
SG36-06	Selector	UP-21	SR36 KSK Aluminum Tactical Handguard
SG36-07	Outer Barrel base	P-101	Visual-2 Extended Battery case
SG36-08	Gear Box set	SG36-09	Trigger set
SG36-13	Motor base	SG36-10	Gear Box Safety Lever
SG36-17	Standard Flash Hider	SG36-11	Gear Box Selector Plate
SG36-18	SR36E Aluminum Outer Barrel	SG36-12	Gear Box Control Lever
SG36-19	SR36E Handguard	SG36-14	Wire set
SG36-21	SR36 Carrying Handle Scope	SG36-15	Air Nozzle
SG36-22	SR36 Carrying Handle	SG36-16	Tappet plate
SG36-23	Metal Magazine Release Button	SAK-16	Gear Box Combine Plate
SG36-27	SR36 Upper Receiver set	UP-04	Aluminum Cylinder head
SG36-28	Magazine Base	UP-05	Aluminum Piston head
SG36-29	Magazine Grip	UP-07	Aluminum Spring Guide
SG36-30	SR36 Motor Plate	UP-08/SM4-08	Chromed Cylinder / Cylinder
SG36-42	SR36K Handguard /w 3pcs Rail set	UP-09	High Performance Piston
SG36-43	SR36C Handguard /w 3pcs Rail set	UP-38	"Strength" 6 Steel Teeth Piston
SG36-44	SR36 Folding Stock	UP-10	3 PCs Steel Gear set
SG36-45	SR36KV Retractable folding Stock	SM4-14	Anti-Reverse Latch

10

# SR36 Series Schematic Gear Box

GMM CAL. AIRSOFT RIFLE



**SG36-08**

# SR36

## SERIES

6mm Cal. AIRSOFT RIFLE

# 11

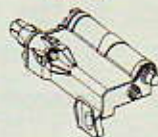
# SR36 Series Schematic

6MM CAL. AIRSOFT RIFLE

SG36-49



P-101



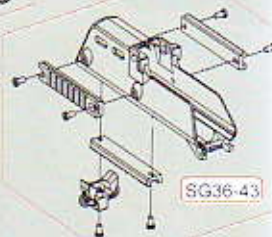
SG36-17



SG36-17

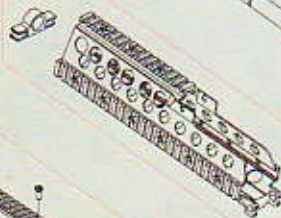


SG36-18



SG36-43

UP-02



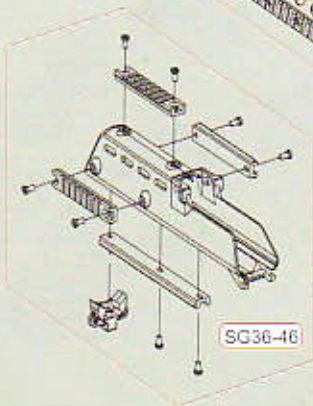
SG36-03



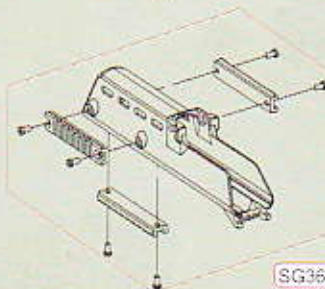
SG36-19



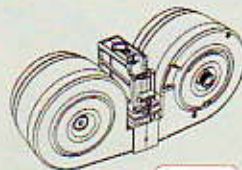
SG36-46



SG36-42



SG36-52



SG36-01



